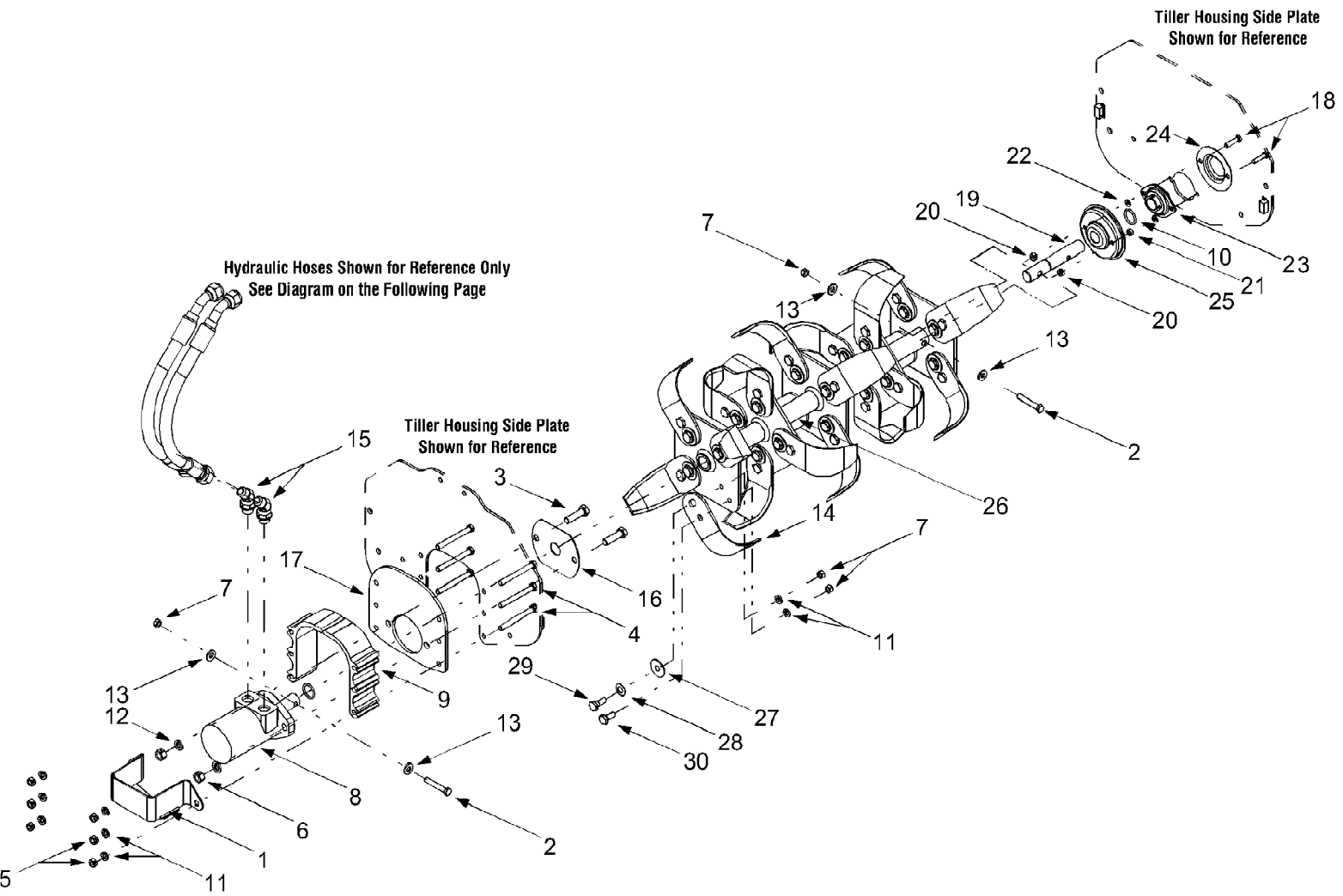


190-825-101 30" Hydraulic Tiller (2005)
General Assembly

Page 2 of 8

Ref #	Part Number	Qty	S/P/F	Description
1	13269	1	S	Hitch Bracket Assembly
2	683-0272A	1	S	Sleeve Hitch Bracket Assembly
3	683-0273	1	S	Sleeve Hitch Assembly
4	710-0182	1	/P	Hex Cap Screw, 1/2-13 x 3 (Grade 5)
5	710-3131	1	/P	Hex Cap Screw, 1/2-13 x 1 (Grade 5)
6	711-0282	1	/P	Hitch Pin
7	711-0309A	1	/P	Clevis Pin
8A	711-1440	1		Support Rod, 3/4 x 13" (7/16-20) Tapped to accept 7/16"-20 shoulder bolts.
8B	711-04188	1	S	Support Rod, 3/4 x 13" (3/8-16) Tapped to accept 3/8"-16 shoulder bolts.
9	714-0117	1	/P	Internal Cotter Pin, .148 x 3
10	714-0149B	1	S	Internal Cotter Pin
11	717-0620	1	S	Electromechanical Linear Actuator
12	736-0272	1	S	Flat Washer, .51 x 1.0 x .06
13	629-0919	1	S	Wire Harness
14	736-0921	1	S	Lock Washer, 1/2
15	738-0482	1		Hitch Rod
16	736-3084	1	/P	Flat Washer, .51 x 1.12 x .060
17	747-1170	1		Upper Cylinder Support Rod
18	747-1171	1		Lower Cylinder Support Rod
19	750-1206	1		Spacer, .542 x .750 x .5
20	783-0668	1		Hitch Plate
21	725-0157	1	/P	Cable Tie
22	725-1053	1	S	Toggle Switch

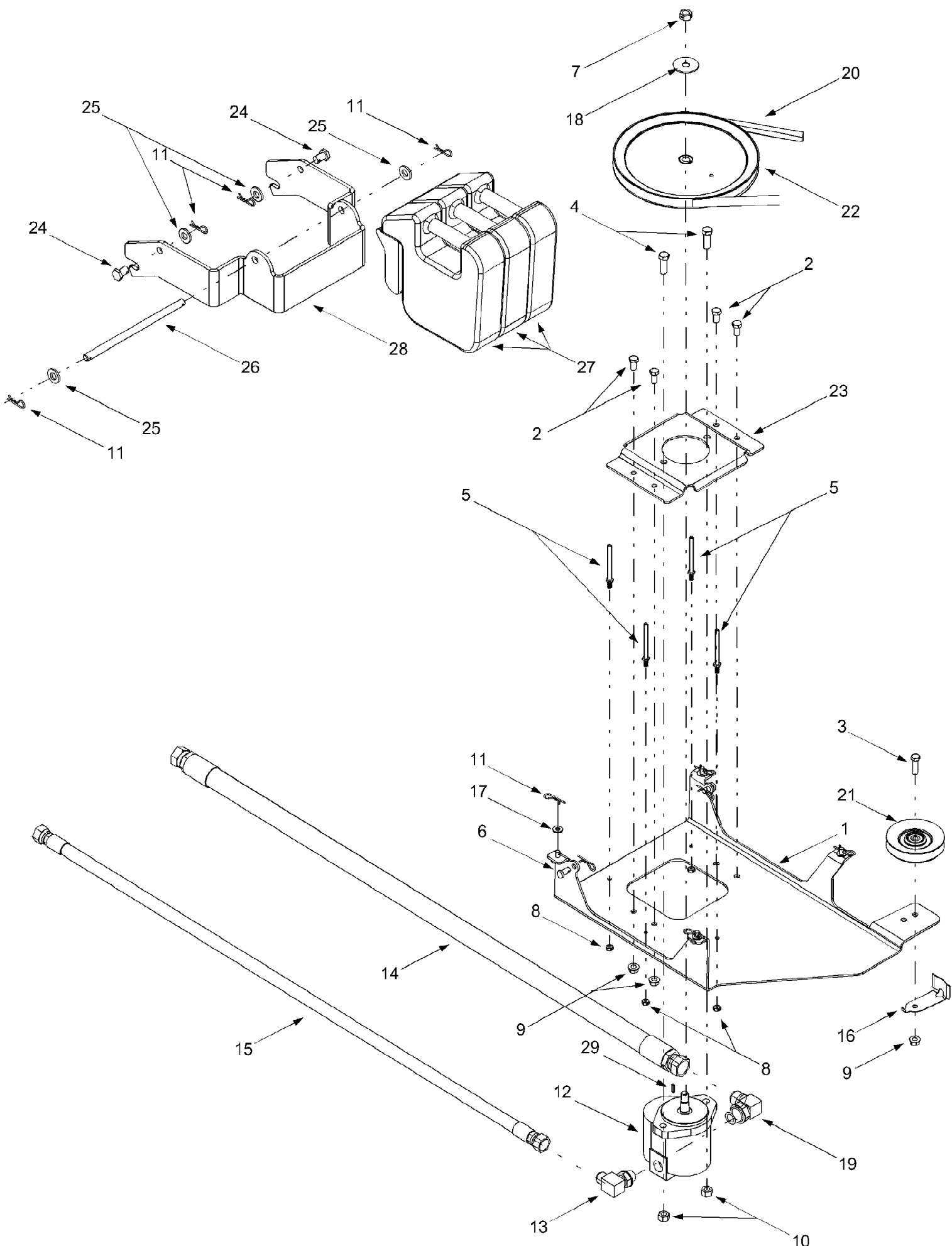


190-825-101 30" Hydraulic Tiller (2005)
Hydraulic Motor & Tine Assembly

Page 4 of 8

Ref #	Part Number	Qty	S/P/F	Description
1	686-0123	1	S	Hydraulic Motor Guard
2	710-1254	1	/P	Hex Cap Screw, 3/8-24 x 2.25
3	710-3067	1		Hex Cap Screw, 1/2-13 x 1.75
4	710-3085	1	/P	Hex Cap Screw, 3/8-16 x 3.5
5	712-3000	1	S	Hex Lock Nut, 3/8-16
6	712-3022	1	/P	Hex Lock Nut, 1/2-13
7	712-3054	1	/P	Hex Lock Nut, 3/8-24
8	718-0659	1		Eaton Hydraulic Motor
8	ET-24300-625	1		Key, Hyd Motor Shaft
9	719-0552	1		Hydraulic Motor Mounting Spacer
10	721-0513	1		O Ring Seal
11	736-0217	1	S	Lock Washer, 3/8
12	736-0921	1	S	Lock Washer, 1/2
13	736-3004	1	S	Flat Washer, .406 x .875 x .105
14	786-0290	1	S	Articulating Tine
15	737-0342	1		45° Hydraulic Adapter, 7/8
16	786-0241	1	S	Hydraulic Motor Cover
17	786-0291	1	S	Hydraulic Motor Mounting Plate
18	710-0528	1	/P	Hex Cap Screw, 5/16-18 x 1.25
19	711-1418	1		Tine Shaft
20	712-3009	1	S	Hex Lock Nut, 5/16-18
21	712-3010	1	S	Hex Nut, 5/16-18
22	736-0119	1	S	Lock Washer, 5/16
23	741-0723	1		Flange Bearing, 1.0
24	786-0242	1	S	Dust Cap Cover
25	786-0262	1	S	Bearing Cover
26	686-0148	1	S	Tine Adapter Assembly
27	736-0208	1	S	Flat Washer, .51 x 1.5 x .07
28	736-0253	1	S	Belleville Washer
29	738-1138	1		Shoulder Screw, .49 x .21, 3/8-24
30	738-1139	1		Shoulder Screw, .49 x .34, 3/8-24

190-825-101 30" Hydraulic Tiller (2005)
Hydraulic Pump and Undercarriage Assembly

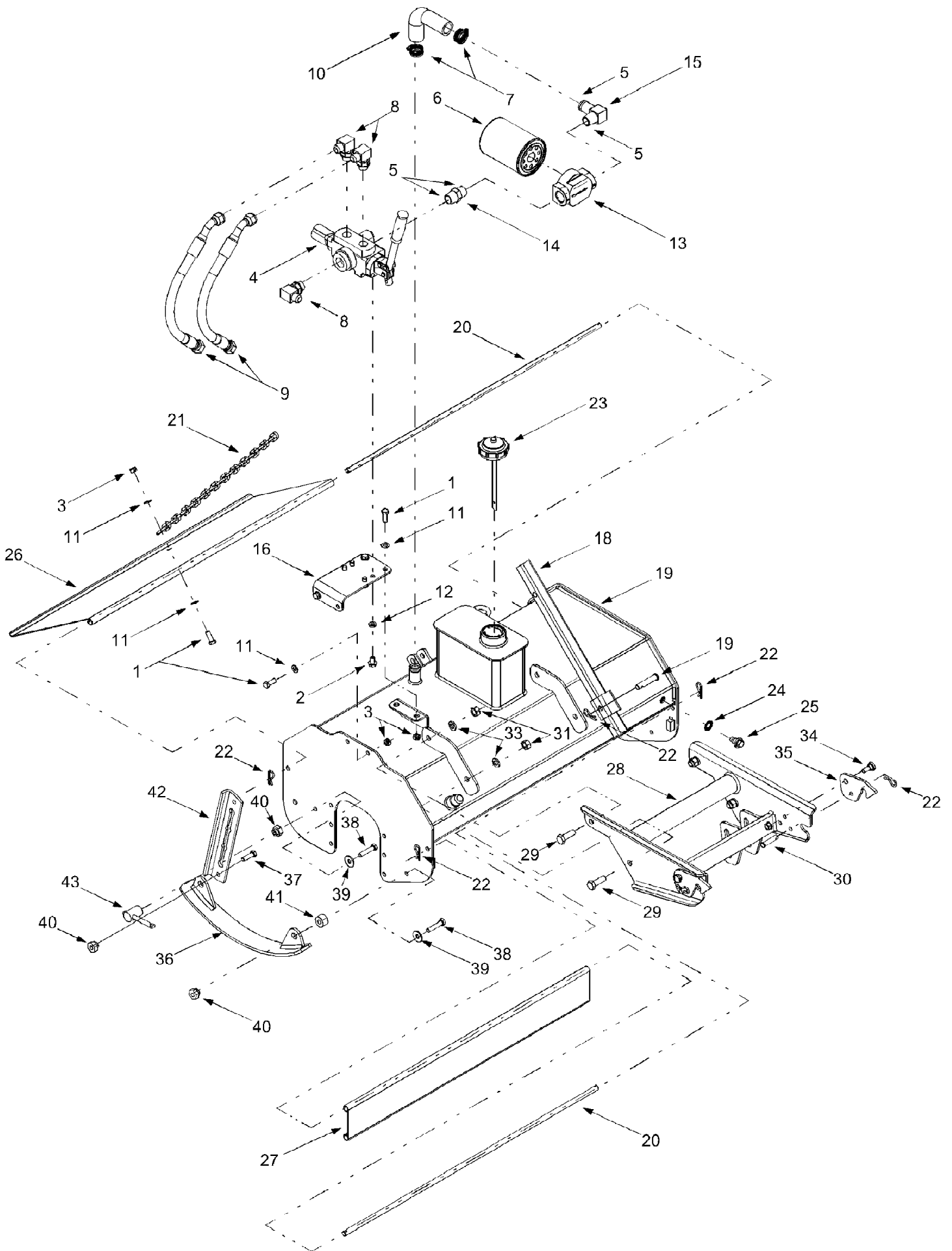


190-825-101 30" Hydraulic Tiller (2005)
Hydraulic Pump and Undercarriage Assembly

Page 6 of 8

Ref #	Part Number	Qty	S/P/F	Description
1	683-0309	1	S	Hydraulic Pump Bracket Assembly
2	710-0216	1	/P	Hex Cap Screw, 3/8-16 x.75
3	710-3005	1	/P	Hex Cap Screw, 3/8-16 x 1.25
4	710-3029	1	/P	Hex Cap Screw, 7/16-20
5	711-1000	1	S	Belt Keeper Pin
6	711-1421	1		Clevis Pin, 3/8 x .75
7	712-0239	1	S	Hex Lock Nut, 1/2-20
8	712-0291	1	S	Hex Lock Nut, 1/4-20
9	712-0431	1	S	Hex Lock Nut, 3/8-16
10	712-3067	1	/P	Hex Lock Nut, 7/16-20
11	714-0145	1	S	Click Pin, .092 x 1.64
12	718-0545	1		Eaton Hydraulic Pump (Includes Ref. 29)
13	727-0220	1		90 degree Hydraulic Adapter, 7/8
14	727-0628	1		Hydraulic Hose, 1.0625-12 x 54
15	727-0629	1		Hydraulic Hose, .875-14 x 49
16	732-0990	1		Belt Guard
17	736-0275	1	S	Flat Washer, .344 x .688
18	736-3027	1		Flat Washer, .531 x 1.75
19	737-0309	1		90 degree Hydraulic Adapter
20	754-0341	1	S	V-belt (For Manual PTO Tractors)
20	754-0473	1	S	V-belt (For Manual PTO Tractors equipped with a 46-inch deck)
20	754-0490	1	S	V-belt (For Electric PTO Tractors)
21	756-0487	1	/P	Idler Pulley, 5/8 x 4.0
22	756-1178	1		Drive Pulley, 10.0
23	786-0283	1	S	Pump Mounting Bracket
24	711-0332	1	S	Clevis Pin, .5 x .78
25	736-3019	1		Flat Washer, .531 x 1.062
26	747-1186	1		Weight Guard Rod
27	759-3389	1	S	45 lb. Suitcase Weight
28	783-0870	1		Weight Bracket
29	714-0237	1		Square Key, 1552 x .1552 x.6875

190-825-101 30" Hydraulic Tiller (2005)
Valve & Housing Assembly



190-825-101 30" Hydraulic Tiller (2005)
Valve & Housing Assembly

Page 8 of 8

Ref #	Part Number	Qty	S/P/F	Description
1	710-0514	1	/P	Hex Cap Screw, 3/8-16 x 1.0
2	710-0870	1	/P	Shoulder Screw, 3/8-16 x .625
3	712-3000	1	S	Hex Lock Nut, 3/8-16
4	718-0673	1	S	Energy Hydraulic Valve
5		1		Loctite Hydraulic Sealant Purchase Locally
6	723-0405	1	/P	Oil Filter
7	726-0132	1	/P	Adjustable Hose Clamp
8	727-0220	1		90° Hydraulic Adapter, 7/8
9	727-0520	1		Hydraulic Hose, 7/8-14
10	727-0625	1		90° Hydraulic Hose, 1.37 x 1.0
11	736-0185	1	S	Flat Washer, .375 x .738 x .063
12	736-0217	1	S	Lock Washer, 3/8
13	737-0316	1	/P	Filter Housing
14	737-0338	1		Hydraulic Adapter, 3/4 x 3/4
15	737-0346	1		90° Hydraulic Adapter, 1.0 x 1.0
16	786-0265	1	S	Valve Mounting Bracket
17	686-0143	1		Frame Assembly
18	686-0155	1	S	Tiller Stand
19	711-0510	1	/P	Clevis Pin, .50 x 2.0
19	686-0143	1		Frame Assembly
20	711-1380	1		Shield Pivot Rod
21	713-0490	1		Chain, 24.37"
22	714-0149B	1	S	Internal Cotter Pin
23	720-0315	1		Vented Tank Cap
24	721-0223	1	S	Stat-O-Seal O Ring
25	738-0940	1	/P	Drain Plug
26	786-0252	1		Rear Tine Shield, 30"
27	786-0274	1		Front Tine Shield, 30"
28	686-0142	1		Hitch Link Assembly
29	710-3181	1	/P	Hex Cap Screw, 1/2-13 x 1.5
30	711-0415	1	S	Clevis Pin, 3/8 x 1.75
31	712-0206	1	S	Hex Nut, 1/2-13
32	712-0431	1	S	Flange Lock Nut, 3/8-16
33	736-0921	1	S	Lock Washer, 1/2
34	738-0380	1	S	Shoulder Screw, .50 x .27, 3/8-16
	712-0431	1	S/F	Flange Lock Nut, 3/8-16
35	786-0281	1	S	Hitch Latch
36	686-0154	1	S	Skid Bracket Assembly
37	710-1039	1	/P	Hex Cap Screw, 3/8-24 x 1.0
38	710-1810	1		Hex Cap Screw, 3/8-24 x 1.75
39	736-0452	1	S	Bell Washer, .396 x 1.14 x .095
40	738-1144	1		Shoulder Nut, 3/8-24
41	750-0706	1	S	Spacer, 1.0 x .380 x .64
42	786-0302	1	S	Skid Adjuster Bracket
43	786-0308	1		Adjuster Crank